

OPERATING & MAINTENANCE INSTRUCTION MANUAL WITH SPARE PART LIST

(Guarantee Will be Void if not used as Instructed in this Manual)



SMD-15

10t - 4/2 Fall

WIRE ROPE HOIST

INDEX

1. Important Information & Warning	4
2. Commissioning Check List	10
3. Erection & Commissioning	11
4. Safe Operating Procedures	13
5. Recommended inspection and maintenance schedule	14
6. Assembly & List of Spare parts	16
7. User information Hoist & Trolley Brake	22
8. Wiring Diagrams & List of Electrical Spares	28
9. Maintenance & Handling	31

Important Information and Warnings

Terms and Summary

This manual provides important information for personnel involved with the installation, operation and maintenance of this product. Although you may be familiar with this or similar equipment, it is strongly recommended that you read this manual before installing, operating or maintaining the product.

Danger, Warning, Caution and Notice - Throughout this manual there are steps and procedures that can present hazardous situations. The following signal words are used to identify the degree or level of hazard seriousness.

DANGER :- Danger indicates an imminently hazardous situation which, if not avoided, will result in death or serious injury, and property damage

WARNING :- Warning indicates an imminently hazardous situation which, if not avoided, could result in death or serious injury, and property damage.

CAUTION :- Caution indicates a potentially hazardous situation which, if not avoided, may result minor or moderate injury or property damage.

NOTICE :- Notice is used to notify people of installation, operation, or maintenance information which is important but not directly hazard-related.

CAUTION

These general instructions deal with the normal installation, operation, and maintenance situations encountered with the equipment described herein. The instructions should not be interpreted to anticipate every possible contingency or to anticipate the final system, crane, or configuration that uses this equipment. For systems using the equipment covered by this manual, the supplier and owner of the system are responsible for the system's compliance with all applicable industry standards, and with all applicable federal, state and local regulations/codes.

This manual includes instructions and parts information for a variety of trolley and hoist types. Therefore, all instructions and parts information may not apply to any one type or size of specific trolley or hoist. Disregard those portions of the instructions that do not apply.

Record your hoist and trolley's Product Code and Serial Number on the front cover of this manual for identification and future reference to avoid referring to the wrong manual for information or instructions on installation, operation, inspection, maintenance, or parts

Use only Indef authorized replacement parts in the service and maintenance of this trolley.

CAUTION

Equipment described herein is not designed for and MUST NOT be used for lifting, supporting, or transporting people, or for lifting or supporting loads over people.

Equipment described herein should not be used in conjunction with other equipment unless necessary and/or required safety devices applicable to the system, crane, or application are installed by the system designer, system manufacturer, crane manufacturer, installer, or user.

Modifications to upgrade, rerate, or otherwise alter this equipment shall be authorized only by the original equipment manufacturer.

Failure to read and comply with any one of the limitations noted herein can result in serious bodily injury or death, and/or property damage.

The angle between rope and plane perpendicular to the axis of the drum shall not exceed 5° (As per IS 3938 6.1.1.2).

Hoists shall not be operated unless the hoist unit is centered over the load, except when authorized by a qualified person who has determined that the components of the hoist and its mounting will not be overstressed. Should it be necessary to pick a load that is not centered under the hoist unit, precautions should be taken to control the swing of the load when it is picked clear of its support.

DANGER

HAZARDOUS VOLTAGES ARE PRESENT IN THE CONTROL BOX, OTHER ELECTRICAL COMPONENTS, AND CONNECTIONS BETWEEN THESE COMPONENTS.

Before performing ANY mechanical or electrical maintenance on the equipment, de-energize (disconnect) the main switch supplying power to the equipment; and lock and tag the main switch in the de-energized position.

Only trained and competent personnel should inspect and repair this equipment.



Information

This symbol indicates tips and useful information.

Warning Tag and Labels

The warning tag illustrated below in Figure is supplied with each hoist and trolley shipped from the factory. If the tag is not attached to the pendant cord for your hoist/trolley, order a tag from your dealer and fix it. Read and obey all warnings attached to this Hoist/Trolley. Tag is not shown in actual size.

WARNING

IMPROPER use of powered Hoist could result in death
Or serious injury.

To avoid these hazards:

- ▶ ALWAYS read owner's manual and safety instructions.
- ▶ Do NOT lift more than rated load.
- ▶ Do NOT lift or transport loads over or near people.
- ▶ Do NOT use a hoist for lifting supporting or transporting people.
- ▶ Do NOT operate unless load is centered under hoist.
- ▶ Do NOT support a load on the tip of the hook
- ▶ Do NOT use a hoist if the hook latch is missing or broken.
- ▶ Do NOT remove or obscure the warning labels.
- ▶ Do NOT run the load chain or wire rope over a sharp edge.
- ▶ Do NOT use the load chain or wire rope as a sling.
- ▶ Do NOT operate beyond the travel limits of the hook or load block.
- ▶ Do NOT use a twisted, kinked, damaged, or stretched load chain or wire rope.
- ▶ Do NOT operate a wire rope hoist with a wire rope that is not properly seated in its groove.

CONDITIONS WHERE WARRANTY WILL BE VOID / NOT APPLICABLE

HHL does not provide reimbursement for maintenance and visit charges for items such as: brake adjustments, lubrication oil changes, or any other item or activity deemed solely by HHL to be maintenance related.

HHL will not be liable for damage or malfunction and consequently warranty resulting from:

- a. Lack of maintenance.
- b. Use of improper or insufficient lubricants
- c. Supply voltage high/low or insufficient.
- d. Environmental conditions (including but not limited to extreme temperatures, humidity and corrosive environments).
- e. Outdoor applications where HHL is not intimated and recommendations for protection from the elements are not followed.
- f. Misuse or abuse (including but not limited to overloading, shock loading, or side / angular lifting / pulling).
- g. Use of parts other than genuine HHL replacement parts.
- h. Improper repairs or maintenance.
- i. Modifications not approved by HHL.
- j. Improper handling of product after it leaves HHL factory.
- k. Fire, accidents, or acts of God or nature, including but not limited to floods, hurricanes and lightning.
- l. Any piece of equipment not supplied by Hercules Hoists Limited, is installed on products.
- m. Malfunction or damage caused by items added to Hercules Hoists Limited products, including but not limited to controls and control components.
- n. Relocation of hoist / equipment without proper installation and commissioning by HHL / ABP.
- o. Misalignment in existing / installed Crane rail and hoist monorail, improper existing power feed track.

Operational cause Note

Terms and Summary

Overhead crane & hoists are typically designed to lift objects vertically. The specific guide lines are mentioned in respective IS standard .

Sometimes, however, operators attempt to make a side pull or cross pull or use the hoist horizontally to lift an object that is not directly underneath it.

This can cause damage to hoist.

Probable failures/Risks:

- ▶ Side pulling can cause damage to various hoist parts – Load Chain Wheel, Chain Guide Roller, Chain Stripper, Hook and hook latch assembly, in electric Chain Hoists the load chain guide and chain stripper and in Wire Rope Hoists the rope drum, rope guide and the rope itself.
- ▶ Additionally, it may place the operator and personnel working near the crane at risk for injury.
- ▶ One of the main risks for an operator is load swing, which can damage the load or cause injury to the operator. In extreme cases, there might be a load drop.
- ▶ A rope that has been worn by side pulls may also snap and lead to a loss in control of the load.
- ▶ Cross pull or side pull may affect on monorail beam flanges, the beam web may deflect / distort, and beam flanges may wear causing uneven sides of beam.
- Preventing side pulls could lead to increases in both the safety and the lifetime of the components, customer should be educated at every interaction opportunity.
- The unfortunate prevalence of cross pulling-related accidents and maintenance needs repeated replacement of parts like chain guider roller, chain stripper, hook latch assembly, rope guide related parts i.e set of rope guide ring, spring and rope guide joining bracket.

Operational Note:

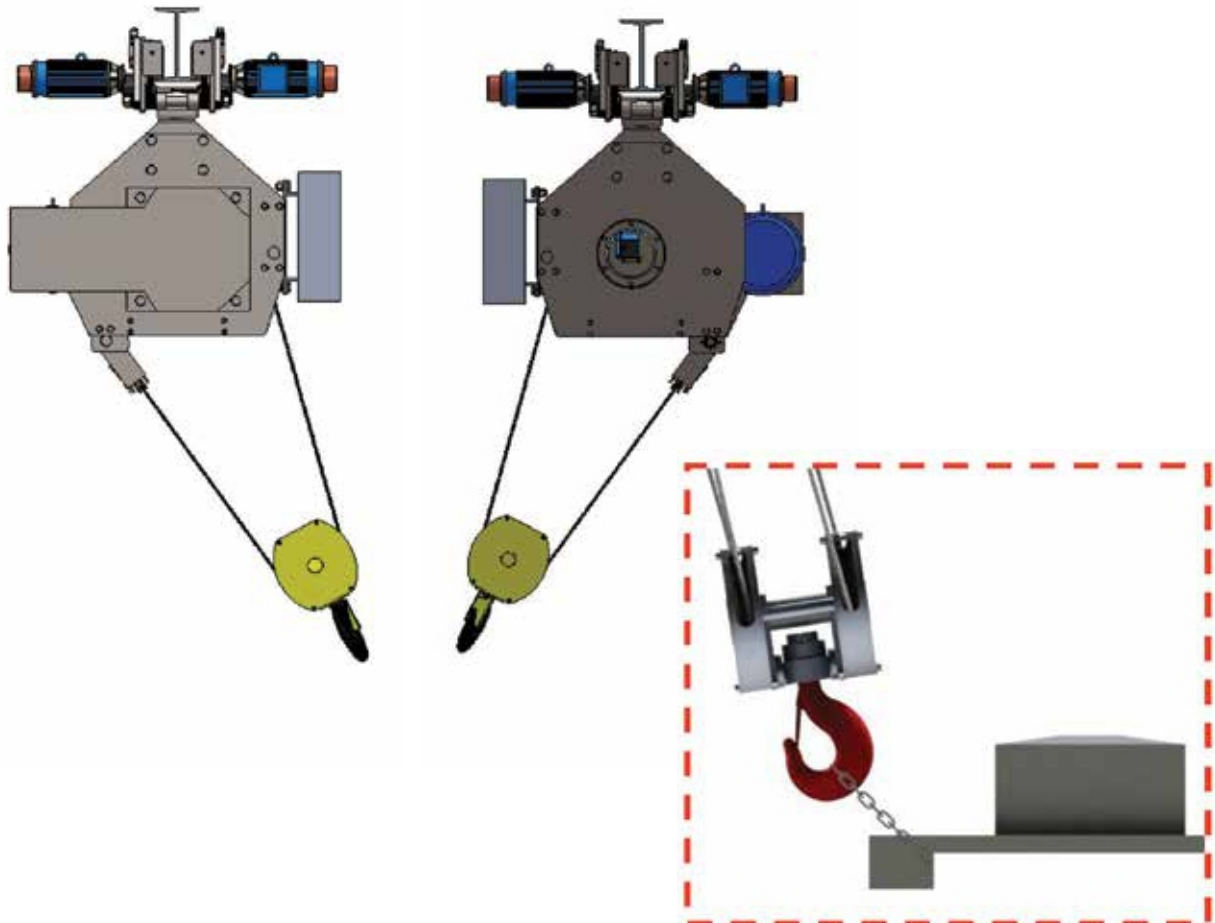
- Please be aware that as a safety feature, this rope guide ring is designed to snap in the event of the wrong usage of the rope hoist. As per IS 3938-2005 the angular lifting / pulling of dead weight is not allowed in wire rope hoist. If any user puts the rope hoist to such an application, the rope guide ring will not allow to perform the lifting. The rope guide ring will break if the fleet angle is more than 5 Deg. including angle between point of lift and dead weight kept on floor.
- The specific instruction in Do's and Don'ts is given hoist operating and maintenance manual. Those guidelines are based on past experience and safety standards of operation.
- The hoist in tandem application cannot be used because the load lifting speed and effort are not balanced in manual hoisting operation. Most important is load required to be centered under hoist and load line of trolley centre and hook seating diameter centre should match. The hoists are designed for lifting load vertically. This phenomenon is applicable for all hoisting equipment's.

If hoist not used in proper way as mentioned above the warranty claims will not be accepted. Indicative list of parts not covered under warranty.

Indicative list of parts not covered under warranty:

1	Hoist Motor Winding
2	Wire Rope
3	Safety Latch assembly
4	Brake Disc – Hoist and Trolley
5	Brake Coil – Hoist and Trolley
6	Hoist and Cross Travel Limit Switch
7	Trolley Motor Winding
8	Pendent control
9	Relay and Fuse
10	Control Transformer
11	Special Control Switchgears

This can cause damage to hoist



COMMISSIONING CHECK LIST (WRH)

1. Limit Switch: Check all limit switches like over hoisting, over lowering, right & left & emergency. Check the direction of motions w.r.t. Pendant buttons change phase sequence if required.
This is very important safety requirement.
2. Sufficiency of lift: Set the bottom Limit switch so that hook touches the floor & no further. Loosening of wire rope takes place. Set the top limit switch so that safe headroom is maintained between hoist body and lower block. Ensure that rope is not rubbing between L.B.
3. Angular Loading: Check that equipment is not subjected to angular loading. Ensure that equipment is installed at proper place proper hook approaches are used to prevent this.
4. Counter weight assembly: Ensure that counter weights are correctly assembled for balancing of trolley bolts are properly locked & tightened.
5. Noise level: Observed that there is no abnormal noise in Hoist and travel motion.
6. Greasing: Apply grease to the rope for full length & rope guide & ensure free movement
7. Name plate data: Note hoist, motor nos & record them on Instruction manual for future use.
8. Abnormal factors: Excessive dust, temp, humidity, chemical fumes, leakages etc. Report them.
9. Brake setting: Ensure that brake operation is not sluggish & load is not slipping. This is to certify that equipment is commissioned on and found satisfactory for use.

ERECTION & COMMISSIONING

Hoist has been designed for ease of erection. After removing side and top frames of wooden box you will find Hoist is bolted on the wooden bottom frames like pallet which can be lifted by fork lift truck.

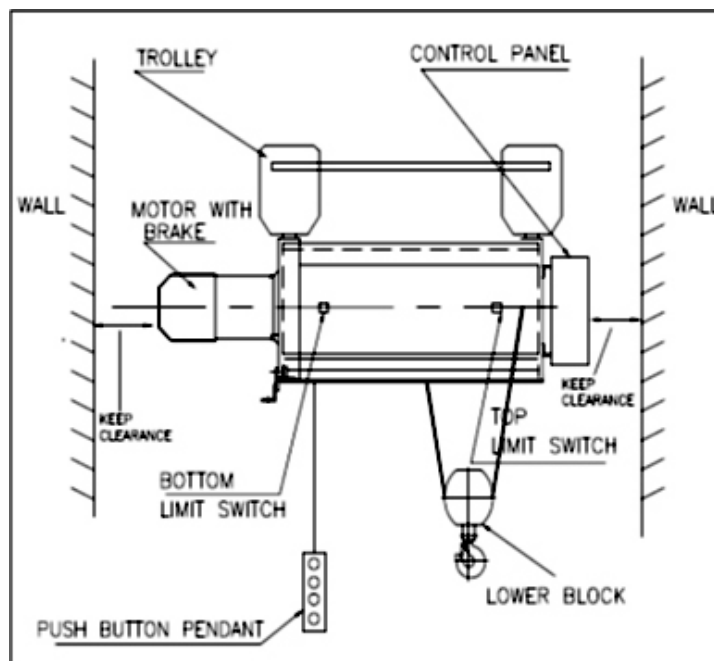
Before erection of hoist adjust flange width of trolley to suit beam size providing equal numbers of washers on both sides between trolley side plate and suspension of hoist.

Check the distance between the wheel flanges. It should be 3 to 8mm more than the width of runway beam flange.

After adjusting the flange width check gear box, oil level, greasing of wire rope, trolley gears and pinions and then install the hoist on beam and remove wooden frame and packing girders.

Contact the hoist to 415 v, 3 phase power supply with 2.5mm sq. copper cable.

(CAUTION – DO NOT FORGET TO CONNECT EARTHING)



Now, cautiously operate Hoisting push button (see fig. 1) and observe Lower Block movement. In case. It is coming down then interchange phase sequence.

Recheck the directions cautiously and operation of Top And Bottom Limit Switches. Adjust limit switches If required.

When everything is set observe movement from top to bottom of lower block without load. Then lift the load by few Cms. And observe that Brake is holding the load.


Now operate cross travel motion and fix proper end stoppers / LS actuation / Buffer on beam so that proper clearance is maintained with motor, Gear box and wall.

TROUBLE SHOOTING

TROUBLE	CAUSE	HOW TO SET RIGHT
Hoist does not start No contractor operates.	Phase sequence wrong or one phase failed or limit switch operated.	Change to phases of main supply. Check with lamp. Check movement of limit switch levers.
Hoist does not start Contractors are working.	Brake not opening or motor defect or overloaded.	Remove brake cover and see movement of brake plate. Check without load
Operation interrupted Chattering of contractors.	Loose connection or wire broken, current collector contact poor.	Tighten all connections. Check wires. Check sitting of shoe & free movement of arm
Push button gets stuck.	Push button sections shifted	Tighten the housing screw.
Braking time too long.	Brake liner is worn.	Adjust brake as per Instructions.
Brake & motor overheats.	Brake not properly opening incorrect air-gap.	Check brake air gap (see the instructions).

Grease	MP3 GREASE HP	
Oil for Gear Box	PARTHAN EP 320 (SI-17-C-562)	
Oil quantity without creep speed	For hoists with class 'F' insulation; which are exposed to higher temp. or for hoist with 3000 RPM motors use oil PARTHAN EP 320 or equivalent.	
SMD 15		

SAFE OPERATING PROCEDURES FOR OVERHEAD CRANES / HOISTS & SLINGS

DO Not	CAUTIONS	DO
<ul style="list-style-type: none"> • Lift more than rated capacity of Hoist. • Operate Hoist with twisted, kinked or damaged hoist-rope • Operate if rope is not seated in drum or sheave grooves. • Lift unless load slings are centered on hook. • Lift people or travel with people on load. • Make side pulls which misalign rope with hoist. • Operate unless all travel limit devices are functioning. • Lower below point where less than two full wraps of rope remain on hoist drum. • Use upper limit switch to stop hoist limit which is emergency stop only. • Leave operating position with suspended load on hook. • Permit load to contact obstacles. • Exceed recommended duty cycle. • Use Hoist Rope or chain as a sling or as an earthing for welding. • Divert his attention while operating. • Remove or obliterate warning label • Exceed fuse rating. 	<p>WHENEVER LEAVING OR PARKING ANY HOIST OR CRANE</p> <ul style="list-style-type: none"> • Raise all hook to-but not through-limit switches. • Place all controls in off position • Place main power switch in off position. • Make visual check for any dangerous condition & report any defect immediately. • Report to supervisor when Hoist is not in operation. • Take up slacks, than start load slowly. • Keep chains free from twists, knots & knits. • Lift form Center of hooks. Avoid lifting form points. • Distribute load evenly on all legs. • Inspect chain regularly. Remember elongation of links is a sign of overloading. • A sharp edge can cut the lift of your sling. Use blocking padding or a corner saddle. • Remove knots large enough for the load. • Don't jerk loads- jerking may double the stress in your sling. Lift load gradually. 	<ul style="list-style-type: none"> • Test hoist & travel limit devices at a start of each shift. • Position the Hoist so that lifting appliance is directly over the load. • Take load gently & avoid shock loads. • Ensure the travel path is clear before traveling. • Sound warning single when approaching personnel. • Balancer the loading sling before lifting more than few inches. • Test hoist brakes whenever lifting load approaching rated load capacity. Lift load a few inches & test hoist brakes before making complete lift. • Make visual checks on equipment at reasonable intervals & report the defects immediately. • Use controller to “stop” hoist not limit switch. • Watch for proper rigging on load before lifting. • Know standard hand signals. • Check Lubricants. • Check for proper phasing. • Always anchor outdoor hoists when not attended. • Keep load block safely overhead when not in use.

RECOMMENDED INSPECTION AND MAINTENANCE SCHEDULE

TIME INTERVAL

INSPECTION OR MAINTENANCE

Daily or start of each shift (visual)

- ▶ Check operation of all functional mechanisms including limit switch operation, brakes and control. Report any defect found to properly authorized supervisor & notify the next operator of the defects at the change of the shift.
- ▶ Visually inspect each component of the crane normally used in lifting the load, traveling or lowering the load. This inspection should include, but not be limited to, the items as follow :
 - a. Wire Rope: Inspect for kinks or broken wire or evidence of improper spooling on drum & replace seriously damaged ropes immediately.
 - b. A functional operating mechanisms such as sheaves, drums & brakes.
 - c. Visually inspect entire crane for the sings of damage which might cause unsafe immediately.
 - d. All limit switches of hoisting, Lowering, Cross Travel or swiveling.
 - e. Inspect hooks, lower blocks, and all load bearing components for damage.

1 - 3 Months



- ▶ The result of monthly inspection should be carefully recorded in the suitable log book, in full details, & should be details, & should be dated signed by the inspector.
The purpose of the monthly inspection is to find & correct any wear, damage, or defect, which should affect the safe operation of the machine. This should include the items listed under the daily inspection as well as the following:

Inspect the Electrical Controls.

- a. Check hoist gearbox oil level.
- b. Inspect the entire crane or hoist for structural damages.
- c. Inspect for cracked or worn sheave, drums, wheels, rails.
- d. Inspect for worn, cracked or distorted components such as pins, bearing, shaft & gears.
- e. The current collector system should be thoroughly checked & maintained. The contact tips & case of DSL systems should be checked & cleaned regularly.

RECOMMENDED INSPECTION AND MAINTENANCE SCHEDULE

TIME INTERVAL

INSPECTION OR MAINTENANCE

- f. Inspect for excessive wear on brake system parts, linings, pawls, & ratchets. Be sure pawls & ratchets operate correctly, are in good condition & are properly lubricated. Check the conditions of the fire extinguisher, if furnished.
- g. Inspect all motors, controls, & conductor systems which might in any way affect the safety of the machine.
- h. Entire crane or hoist structure, especially surrounding the drive should be thoroughly cleaned.

6 Months

- ▶ Lower Block
- ▶ Rope Guide
- ▶ Lubricate hoist wire rope, Lower block, outboard bearing cartridge at grease fitting.

ANNUALLY

At least annually, the crane hook should be inspected for check by magnetic particle or other suitable crack testing inspection method, to determine that no cracks are discernible. A 15% increase in the throat measurement of hook or a 10% bend in the hook shall be considered cause for replacement.

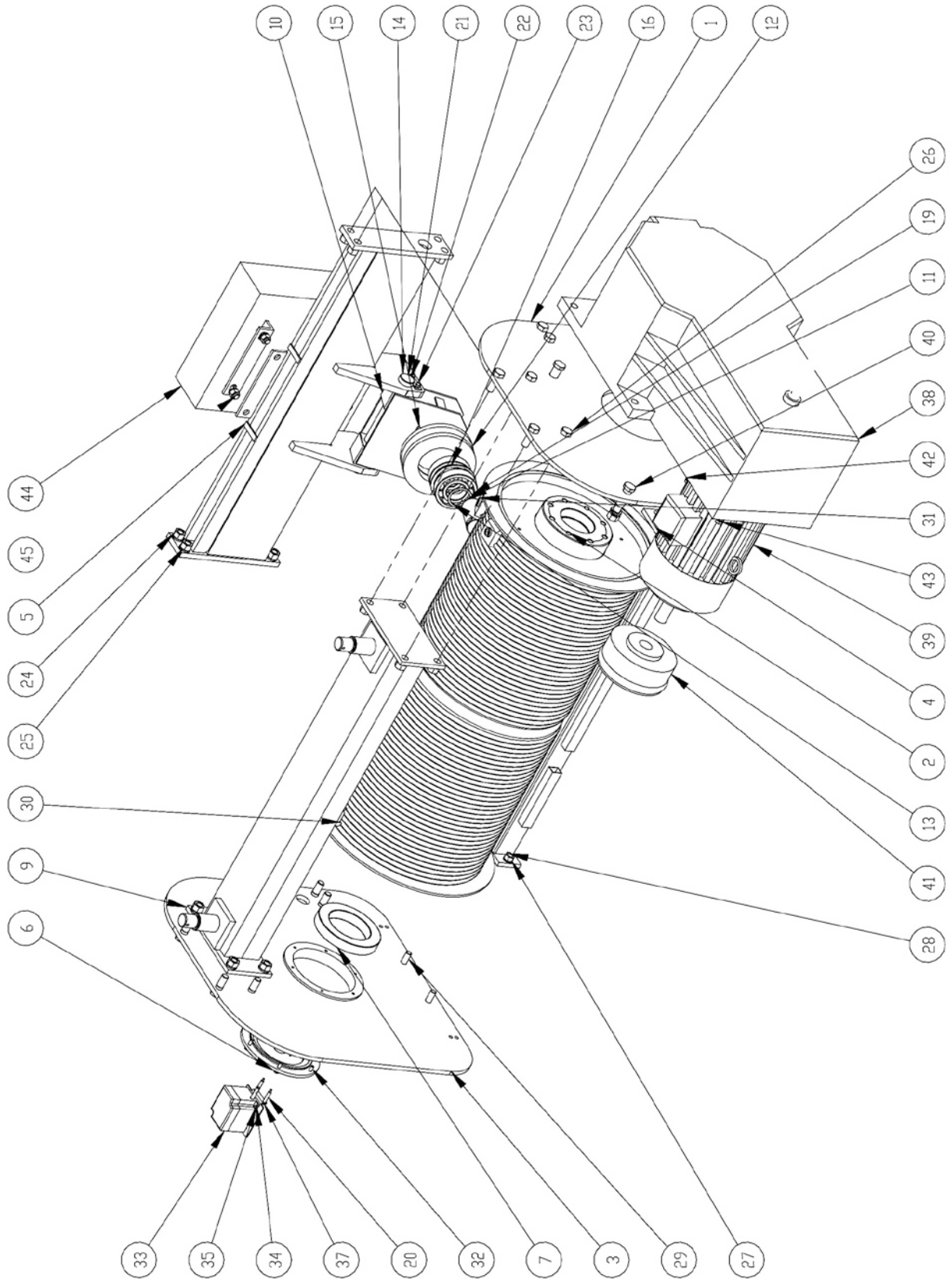
The above visual & operational checks will take only a few minutes at the beginning of each shift, & are absolutely necessary to ensure safe operation.

*** Complete inspection, disassembly and maintenance required. It is recommended that your HERCULES HOISTS LIMITED repair Station be contacted for this service.**

INSPECTION WHEN REQUIRED :

The third type of inspection concerns individual incidents which apply sudden & unusual stress, or possible damage due to any cause. All such incidents which might affect the safe operation of crane should be followed by an immediate & thorough inspection of the crane, using all necessary non-destructive test methods. All repairs found necessary should be made before the machine is returned to service.

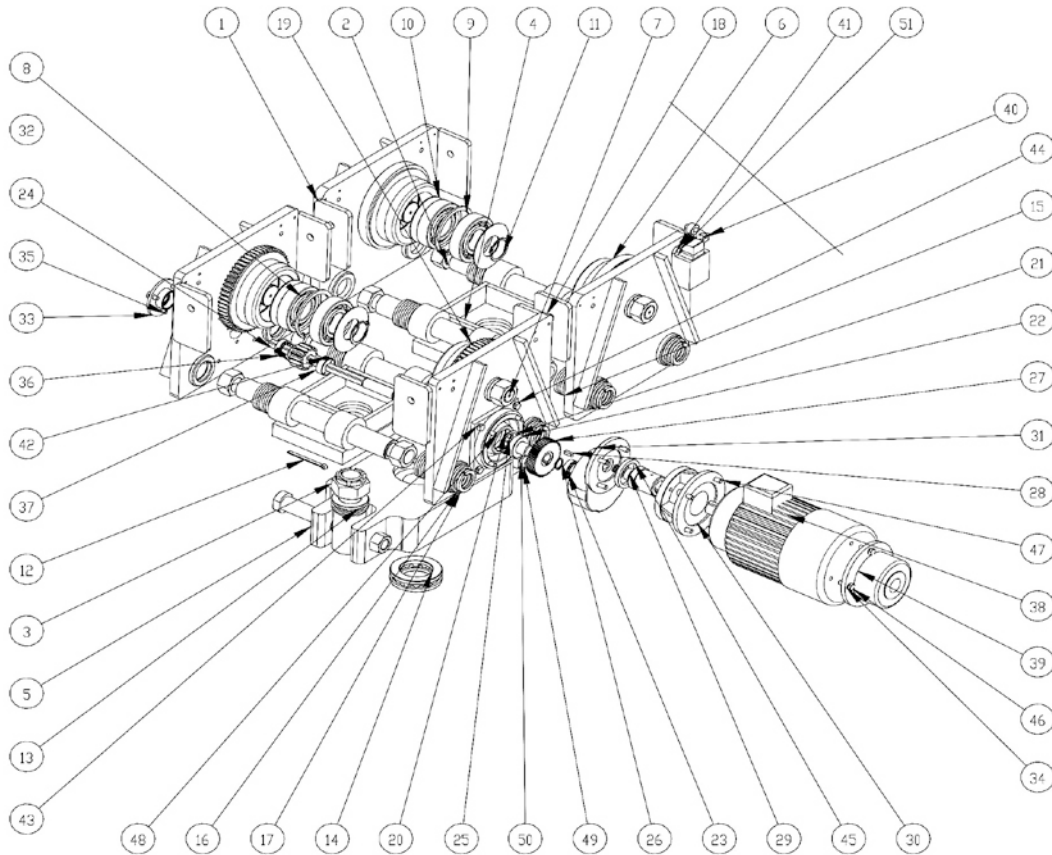
MAINS SPARE PART LIST



PART NO.	PART CODE	DESCRIPTION	QTY.
1	ZICA133028A	HOUSING PLATE GEAR BOX SIDE	1
2	ZIGA133001A	COMPLETE DRUM (LIFT 20 MTRS)	1
	ZIJA133001A	COMPLETE DRUM (LIFT 40 MTRS)	
	ZIMA133001A	COMPLETE DRUM (LIFT 60 MTRS)	
3	ZICA133030A	HOUSING PLATE ROTARY LIMIT SWITCH SIDE	1
4	ZIGA133041A	DISTANCE BEAM (LIFT 20 MTRS)	1
	ZIJA133041A	DISTANCE BEAM (LIFT 40 MTRS)	
	ZIMA133041A	DISTANCE BEAM (LIFT 60 MTRS)	
5	ZIGA133042A	PULLEY SUSPENSION BEAM (LIFT 20 MTRS)	1
	ZIJA133042A	PULLEY SUSPENSION BEAM (LIFT 40 MTRS)	
	ZIMA133042A	PULLEY SUSPENSION BEAM (LIFT 60 MTRS)	
6	ZICA833119A	DRUM BEARING COVER	1
7	BBR060320000	BALL BEARING 6032	1
8	EXCRA1600000	EXTERNAL CIRCLIP A 16	1
9	ZIGN133060A	TROLLEY SUSPENSION BEAM (LIFT 20 MTRS)	1
	ZIJN133060A	TROLLEY SUSPENSION BEAM (LIFT 40 MTRS)	
	ZIMN133060A	TROLLEY SUSPENSION BEAM (LIFT 60 MTRS)	
10	Y5CK133250AF	GUIDE PULLEY SUSPENSION BRACKET	1
11	UDCK823270B	GUIDE PULLEY AXLE	1
12	Y5CK833261AF	PULLEY	1
13	BBR06314ZZ00	BALL BEARING 6314ZZ	2
14	Y5CK823251BF	GUIDE PULLEY SUSPENSION PIN	1
15	UDCK853290A	LOCKING PLATE	1
16	INCRB1500000	INTERNAL CIRCLIP B150	1
17	FLSPWB120000	FLAT SPRING WASHER B12	2
18	HBHM12016046	MILD STEEL HEX BOLT M12* 16	2
19	UDCK833028A	DISTANCE RING	2
20	Y2CA133082AE	ROTARY LIMIT SWITCH MOUNTING BRACKET	1
21	UBCK653029A	LOCKING PLATE	2
22	FLSPWB100000	FLAT SPRING WASHER B10	10
23	HBHM10016088	HT HEX BOLT 10*16	4
24	FLSPWB240000	FLAT SPRING WASHER B24	20
25	HNMM024000YZ	HEX NUT M24	20

PART NO.	PART CODE	DESCRIPTION	QTY.
26	HBHM24070088	HT HEX BOLT M24*70	16
27	FLSPWB200000	FLAT SPRING WASHER B20	16
28	HNMM020000YZ	HEX NUT M20	8
29	HBHM20060088	HT HEX BOLT M20*60	4
30	UDCA863170A	ROPE CLAMP	8
31	ASHM20050000	ALLEN SCREW M20*50	8
32	HBHM10035088	HT HEX BOLT M10*35	6
33	XMIG000064A	LIMIT SWITCH	1
34	FLSPWB050000	FLAT SPRING WASHER B-5	4
35	HBHM05016088	HT HEX BOLT M5 * 16	2
36	HNMM005000YZ	HEX NUT M5	2
37	ASHM05060000	ALLEN SCREW M5 * 60	2
38	GBHX003400TG	GEAR BOX	1
39	XMRP273000*	MOTOR	1
40	ZICA823248A	GEAR BOX BOLT	4
41	XBDS0180ELA	HOIST BRAKE	1
42	FLSPWB160000	FLAT SPRING WASHER B16	4
43	HBHM16060088	HT HEX BOLT M16*60	4
44	2635602B	CONTROL PANEL	1
45	HBHM20050088	HT HEX BOLT M20*50	4
46	WRS01806K36P	WIRE ROPE (LIFT 20 MTRS)	102.4 M
	WRS01806K36P	WIRE ROPE (LIFT 40 MTRS)	188.9 M
	WRS01806K36P	WIRE ROPE (LIFT 60 MTRS)	275.4 M
Please refer for Motor Part Code '** Details (BBL, IND)			

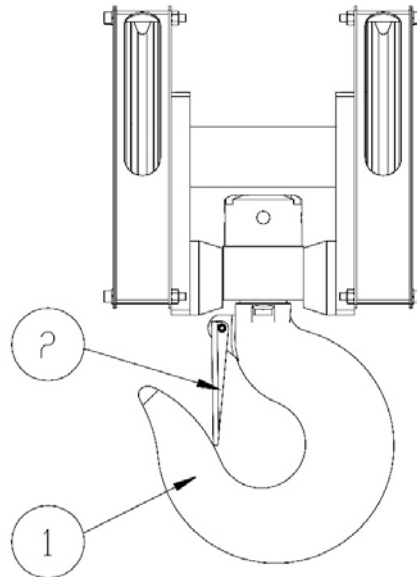
ELECTRIC TROLLEY



PART NO.	PART CODE	DESCRIPTION	QTY.
1	UDC5133012A	TROLLEY PLAIN SIDE PLATE	2
2	PBCF823025B	LOAD AXLE	4
3	UDC6823061A	HOIST SUSPENSION	2
4	UDC5133064A	CROSS PEICE	2
5	UDC6052063A	CROSS PIECE	1
6	PCCF013014A	PLAIN WHEEL	2
7	PCCF823015B	WHEEL AXLE	4
8	BBR063090000	BALL BEARING 6309	8
9	INCRB1000000	INTERNAL CIRCLIP B 100	4
10	PCCF113016A	BALL BEARING COVER	8
11	EXCRA0450000	EXTERNAL CIRCLIP A45	4
12	SCP060900000	SPLIT COTTER PIN 6*90	2
13	BTB512080000	THRUST BEARING 51208	2
14	BTB512120000	THRUST BEARING 51212	1
15	PCCF113252A	WASHER FOR LOAD AXLE	80

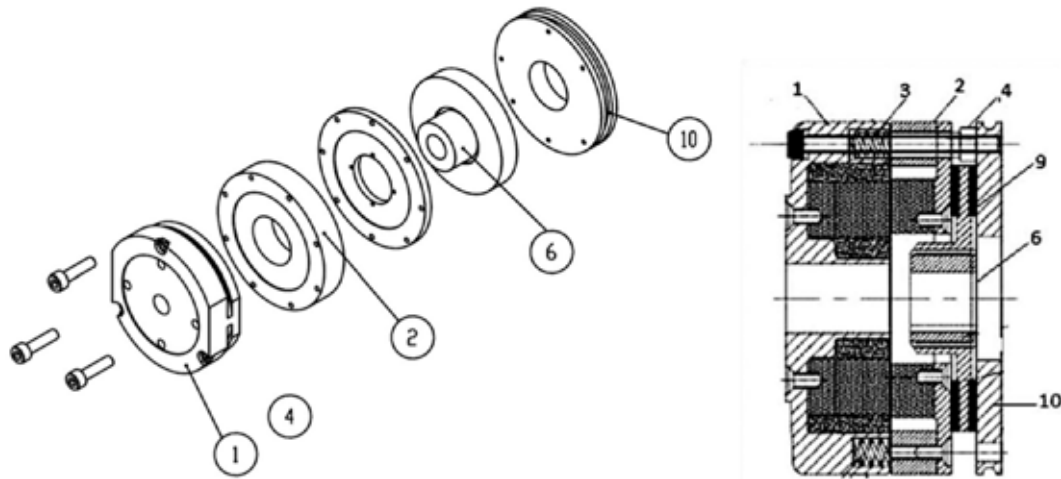
PART NO.	PART CODE	DESCRIPTION	QTY.
16	PACF113023A	SPACER 33 I.D * 50 * 5	12
17	FLSPWB300000	FLAT SPRING WASHER B30	12
18	UDC5133011A	TROLLEY GEAR SIDE PLATE	2
19	PBCG013013A	GEARED WHEEL	2
20	PACF013028B	GEAR BOX COVER	1
21	INCRB0470000	INTERNAL CIRCLIP B47	1
22	BBR060050000	BALL BEARING 6005	1
23	BBR060030000	BALL BEARING 6003	1
24	PBCF823018C	PINION SHAFT	1
25	PACF813022B	DRIVE SHAFT	1
26	EXCRA0200000	EXTERNAL CIRCLIP A 20	1
27	PACF813031B	GEAR WHEEL	1
28	KO0600600180	KEY 6X6X18	1
29	UDC4133037B	PINION	1
30	UDC4013383B	ADAPTER F	1
31	PAC.F023.029B	GEAR BOX HOUSING	1
32	PACF823017C	WHEEL PINION	2
33	PACF833021B	BEARING HOUSING	1
34	FLSPWB080000	FLAT SPRING WASHER B8	19
35	HBHM08016088	HEX BOLT M8*16	3
36	BBR06003ZZ00	BALL BEARING 6003-ZZ/2RS	1
37	PACF833020B	CLAMPING WASHER	1
38	XMRP557000*	TROLLEY MOTOR	1
39	XBAP0060SYT	TROLLEY BRAKE	1
40	XLSP0090SLZ	LIMIT SWITCH	1
41	FLSPWB050000	FLAT SPRING WASHER B-5	3
42	ASFM05016000	ALLEN SCREW (SHCS) M 5*16	1
43	SQSPW0080000	SQUARE SPRING WASHER M8	4
44	PACF193112B	MODIFIED HT HEX BOLT 8*30	4
45	OS0480620800	OIL SEAL 48*62*8	1
46	HBHM08025088	HT HEX BOLT 8*25 GR 8.8	4
47	ASFM08025000	ALLEN SCREW M 8*25	4
48	ASFM08030000	ALLEN SCREW M 8*30	8
49	UDC6813062B	SUSPENSION BOLT	2
50	HNMM024000YZ	HEX NUT M24	2
51	ASHM05020000	ALLEN SCREW M5*20	2
Please refer for Motor Part Code ‘*’ Details (REM/IND/ELE)			

LOWER BLOCK - 4/2 FALL



PART NO.	PART CODE	DESCRIPTION	QTY.
	1490611P	15T LOWER BLOCK ASSLY	
1	UDCK003170A	HOOK WITH SAFETY LATCH ASSLY	1
2	CCFS003165B	HOOK LATCH ASSLY	1

TROLLEY BRAKE SPARE PART LIST



PART NO.	PART CODE	DESCRIPTION
	XBAP0060SYT	MAIN BRAKE
1	XBAP01610SSYT	STATOR
2		ARMATURE ASSEMBLY
3		TUBULAR SPRING EACH SET
4	XBAP87210SSYT	MOUNTING FLANGE ASSLY
6		BRAKE DISC & BRAKE LINER (ROTOR / GEAR HUB)
10	XBAP00510SYT	MOUNTING FLANGE

TROLLEY BRAKE

MAINTENANCE / REPAIR

TROUBLE	POSSIBLE CAUSE	REQUIRED ACTION
Brake does not apply No braking action	No mains voltage.	Check supply voltage.
	Stator (coil) open.	Brake coil resistance to be checked as per the technical data.
	Armature plate Jammed (without moment)	Springs, guide bushes must be checked and overhauled (cleaned properly).
Brake action too slow, insufficient braking effect	Oil or grease on the friction lining	Replace rotor, prevent oil/grease from coming in contact with friction liner.
	Spring are present/broken	Dismantle brake, loosen sleeves insert new springs.
	Brake lining worn-out	Replace rotors (armature plate and flange if very badly worn-out).

To ensure safe & trouble free operation, Spring Loaded Brakes must be checked and maintained at regular intervals. SYTCO Spring Loaded Brakes are wear – resistant and designed for trouble free longer life. The Friction Liners are subject to function -related wear. The Brakes must be checked and readjusted at regular intervals & if necessary, it should be replaced.

PRINCIPLE OF OPERATION : This type of brake consists of stator, Armature, Rotor & Mounting flange. Current is given to stator (coil), the armature plate is attracted to the stator against the spring force thus releasing the rotor. When current is off, strong compression springs push the armature plate back to its position thus clamping the rotor in between armature & mounting flange and providing necessary braking torque.

INSTALLATION : Mounting flange (10) has to be mounted on motor/machine body which should be at right angle to the motor/machine shaft as well as centered internally and externally may be with the help of spigot. The hub (6) has to be fitted on shaft with the help of key and axial retainer (circlip) and Rotor (9) on that. Stator (1) with Armature Assembly (2) has to be fitted on the Mounting flange (10) with the help of provided Allen bolt (8) through adjustment Hollow Bushes (4). The air gap should be adjusted by adjustable Hollow Bushes. To reduce air gap, rotate all bushes equally clockwise. Air gap should be within limits as per following table, initially it should be nominal.

Brake size	05	10	20	40	70	90	160	250
Nominal air gap mm	0.2	0.3	0.3	0.3	0.3	0.4	0.5	0.5
Maximum air gap mm	0.5	0.7	0.7	0.7	0.8	1.0	1.0	1.0

MAINTANENCE : SYTCO Fail Safe Brakes are almost maintenance free. For this periodicity depends on application to application, operating frequency, system inertia to be stopped etc. air gap can be adjusted by rotating adjustable Hollow Bushes to reduce air gap. Rotate all bushes anti-clockwise and check from all sides by filler gauge and vice-versa.

TYPICAL CASES OF WRONG FITMENT

Typical case of uneven air gap in brake disc: This should be noticed and avoided during preventive maintenance.



Typical case of stator resting bolt head, which will restrict the stator lateral movement of brake disc: This should be noticed and avoided during preventive maintenance.



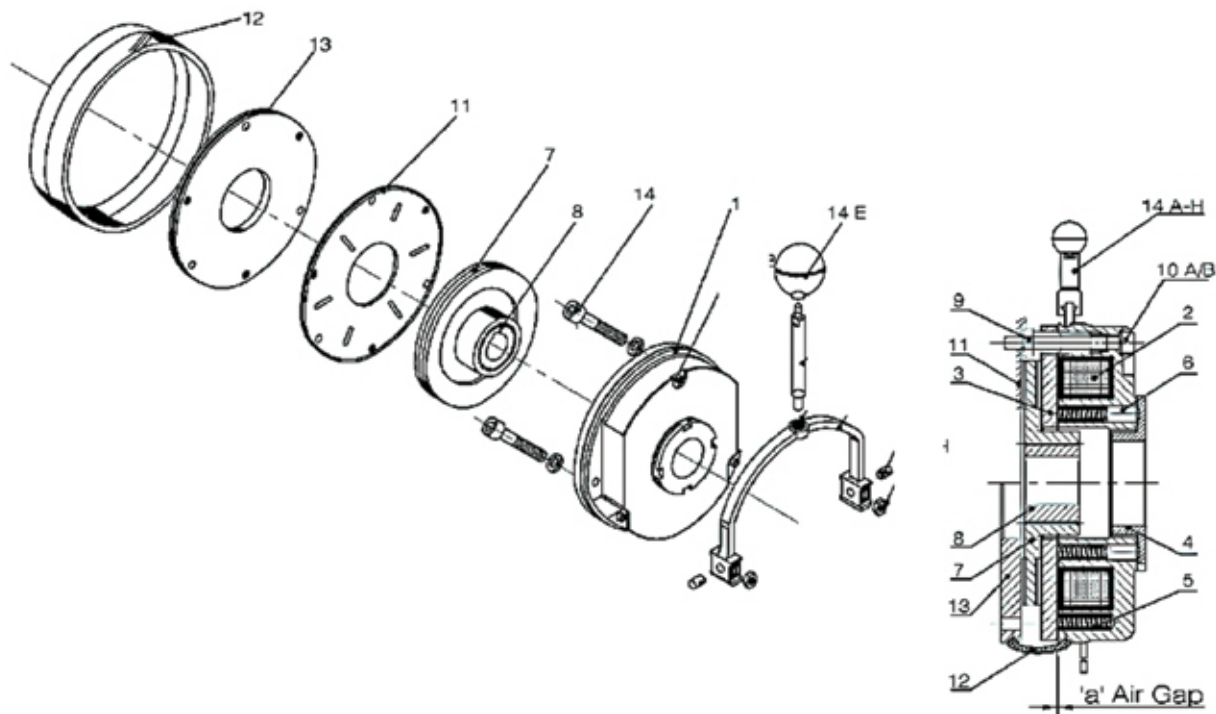
Typical case of stator fitting, the half-moon slot is to clear the bolt head, brake housing fitment wrong, which will obstruct the stator lateral movement of brake disc: This should be noticed and avoided during preventive maintenance.



TYPICAL CASES OF WRONG WIRING

The RYB colour code of connecting cables to be maintained and wiring connections to be followed accordingly. The supply voltage is 415+/-10% for all AC brakes. The power supply fluctuations will have effect on brake coil first than motor as coil are more sensitive than motor windings.

HOIST BRAKE SPARE PART LIST



PART NO.	PART CODE	DESCRIPTION
	XBDS0180ELA	MAIN BRAKE
1	XBDS0181ELA	STATOR ARMATURE ASSEMBLY
2		STATOR
3		ARMATURE PLATE
14		HAND RELEASE ASSEMBLY
4	XBDS0187ELA	TARQUE ADJUSTMENT RING
5		COMPRESSION SPRING
6		COMPRESSION PARTS
7		ROTOR
8		HUB
9		ADJUSTMENT TUBE
10	XBDS0188ELA	MOUNTING BOLT & WASHER
11		FRICION PLATE
12		RUBBER SEAL
13		MOUNTING FLANGE

HOIST BRAKE

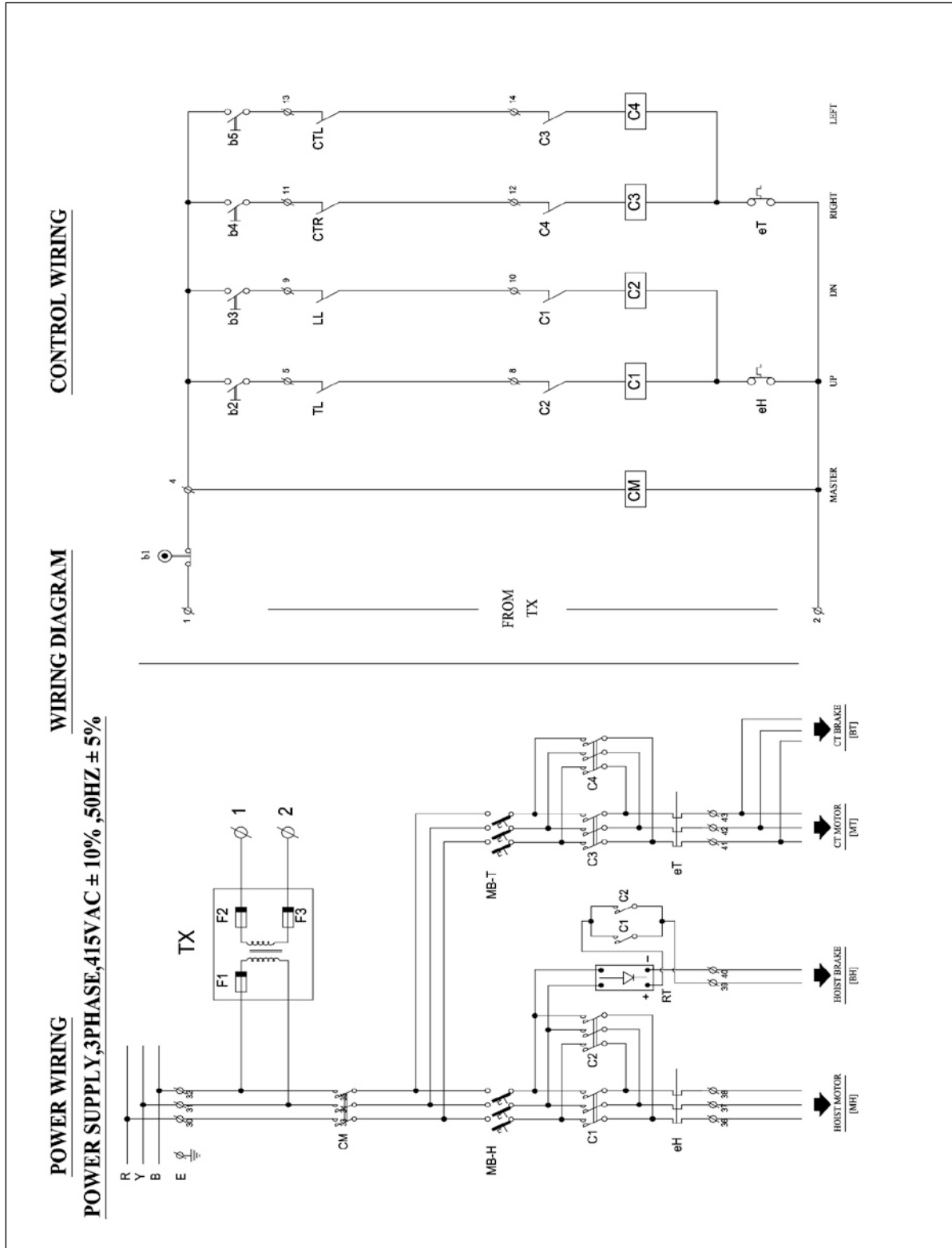
SAFETY PRECAUTIONS

1. To prevent electrical mishaps be sure to disconnect the power to the brake from its source before attempting to service or repair.
2. Look down or secure any load hold by this brake prior to service or repair
3. If this brake has been supplied with a manual hand release, do not override the brake by securing the hand release in an open position
4. Do not operate brake in atmospheres with explosive gases and dusts or corrosive substances. This brake can operate in non explosive dust or with optional seal in water splash and Almaden Atmospheres.
5. When storing or installing the friction rotor, ensure that oil or grease is kept from the friction material surface.

Air gap Hand Release Value

SIZE	06	08	10	12	14	16	18	20	25
a' MIN.	0.2	0.2	0.2	0.3	0.3	0.3	0.4	0.4	0.5
a' MAX.	0.5	0.6	0.6	1.0	1.1	1.4	1.4	1.6	2.2

WIRING DIAGRAM



ELECTRICAL SPARE PARTS

PART CODE	DESCRIPTION	QTY
XCPP249000A	Enclosure for Baseplate XCPP249001A Size 525X525X170 mm (1.6mm Thickness)	1
XCPP249001A	Baseplate for Enclosure XCPP249000A Size 450X450X3 mm	1
XCTP0002AVA	Control Transformer Primary 415VAC & Secondary 110VAC,100VA	1
XMCP0179TMA	Siemens Make MCCB 63A/25KA Cat No 3VT1706-2DC36-0AA0 - Hoist Motor	1
XMCP0040MDA	Siemens Make MCB 3P 10A Cat No 5SL43107RC - ET Motor	1
XACP0960TMA	Siemens Make Contactor 70A/110VAC Cat No 3TF4772 0AF0 - Master & Hoist Motor	3
XACP0850TMA	Siemens Make Contactor 9A/110VAC Cat No 3TF3001 0AF0 - ET Motor	2
XORE0326TMA	Siemens Make Overload Relay 25-36A Cat No 3UA55 00-2Q - Hoist Motor	1
XORE0040SMA	Siemens Make Overload Relay 2.5-4.0A Cat No 3UA50 00-1E - ET Motor	1
XRFE0050ELA	Solid State Rectifier 440VAC / 190VDC, Rating 2A	1
XLSP0064SLZ	GIOVENZANA MAKE ROTARY GEAR LIMIT SWITCH FGR102002 1 :100 RATIO 2 MICRO (LIFT 20M)	1
XLSP0065SLZ	GIOVENZANA MAKE ROTARY GEAR LIMIT SWITCH FGR102002 1 :200 RATIO 2 MICRO (LIFT 40, 60M)	
XLSP0065SLZ	Indef Make Limit Switch in Oil Tight Housing, Normal Roller Lever 1NO+1NC, Normal Action, Rating 10A/500VAC	2
XPBP0003HHL	Indef Make 5 Way Pendant (Emergency Stop (Turn to Release), Hoist/Low Single Speed, Right/Left Single Speed)	1

ELECTRICAL SPARE PARTS – GT/PT

PART CODE	DESCRIPTION	QTY
XCPP249000A	Enclosure for Baseplate XCPP249001A Size 525X525X170 mm (1.6mm Thickness)	1
XCPP249001A	Baseplate for Enclosure XCPP249000A Size 450X450X3 mm	1
XCTP0002AVA	Control Transformer Primary 415VAC & Secondary 110VAC,100VA	1
XMCP0179TMA	Siemens Make MCCB 63A/25KA Cat No 3VT1706-2DC36-0AA0 - Hoist Motor	1
XACP0960TMA	Siemens Make Contactor 70A/110VAC Cat No 3TF4772 0AF0 - Master & Hoist Motor	3
XORE0326TMA	Siemens Make Overload Relay 25-36A Cat No 3UA55 00-2Q - Hoist Motor	1
XRFE0050ELA	Solid State Rectifier 440VAC / 190VDC, Rating 2A	1
XLSP0064SLZ	GIOVENZANA MAKE ROTARY GEAR LIMIT SWITCH FGR102002 1 :200 RATIO 2 MICRO (LIFT 20M)	1
XLSP0065SLZ	GIOVENZANA MAKE ROTARY GEAR LIMIT SWITCH FGR102002 1 :200 RATIO 2 MICRO (LIFT 40, 60M)	
XPBP0001HHL	Indef Make 3 Way Pendant (Emergency Stop (Turn to Release), Hoist/Low Single Speed)	1

MAINTENANCE AND HANDLING

Lubrication

Wire Rope:

- ▶ For proper performance the Wire Rope must be maintained in a clean and well lubricated condition.
- ▶ The rope should be lubricated every 3 months (more frequently for heavier usage or severe conditions).
- ▶ To lubricate the rope, first remove any dirt, grime, moisture or other accumulations of contaminants. Then coat the Wire Rope with PARTHAN EP 320 (SI-17-C-562) oil or equivalent. Ensure that the lubricant is applied to the entire surface of the rope over its entire length.
- ▶ For dusty environments, dry lubricants are suggested.
- ▶ For conditions not permitting lubricant to fall off the wire rope, consider using non-dripping motorcycle drive chain lubricant.

Wire Rope Drum, Hook Block and Sheaves:

- ▶ The drum, hook block and sheaves should be lubricated every 3 months (more frequently for heavier usage or severe conditions).
- ▶ Lubricate the Drum, Hook Block and Sheaves with PARTHAN EP 320 (SI-17-C-562) or MP GREASE 3 (SI-18-M-211) grease.
- ▶ For dusty environments, dry lubricants are suggested.
- ▶ For conditions not permitting lubricant to fall off the drum, hook block and sheaves, consider using non-dripping motorcycle drive chain lubricant.

Trolley Wheels and Gears:

- ▶ The Trolley Wheels and Gears should be lubricated every 3 months (more frequently for heavier usage or severe conditions).
- ▶ Lubricate the Trolley Wheels and Gears with MP GREASE 3 (SI-18-M-211) grease.
- ▶ For dusty environments, dry lubricants are suggested.
- ▶ For conditions not permitting lubricant to fall off the trolley wheels and gears, consider using non-dripping motorcycle drive chain lubricant.

Hoist and Trolley Gearboxes – The hoist and trolley gearboxes are lubricated for life and should not need any lubricant replacement.

From harbouring a simple dream of becoming a provider of high-quality, truly Indian material handling solutions to becoming the national market leaders, **Bajaj Indef** has journeyed far and long. Right from our incorporation in 1962 till the present day, innovation, excellence, service and customer focus have been some of the key pillars that have carried us thus far and we only aim to take this legacy forward.

© 2024 Indef Manufacturing Ltd. All rights reserved.



indef



www.indef.com | enquire@indef.com | [+91 \(22\) 489-33303](tel:+912248933303)

Office No. 501-504, Shelton Cubix, Plot No. 87, Sector-15, CBD-Belapur,
Navi Mumbai - 400 614, India.

