

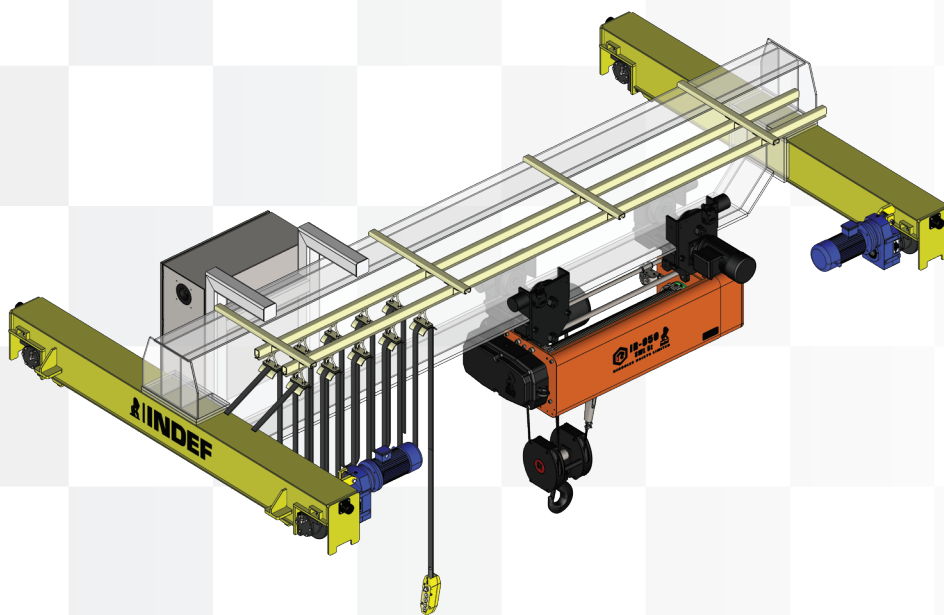
HERCULES HOISTS LIMITED



Indef Powered Crane Kit

Designed By Experts,
Quality of Global Standards...

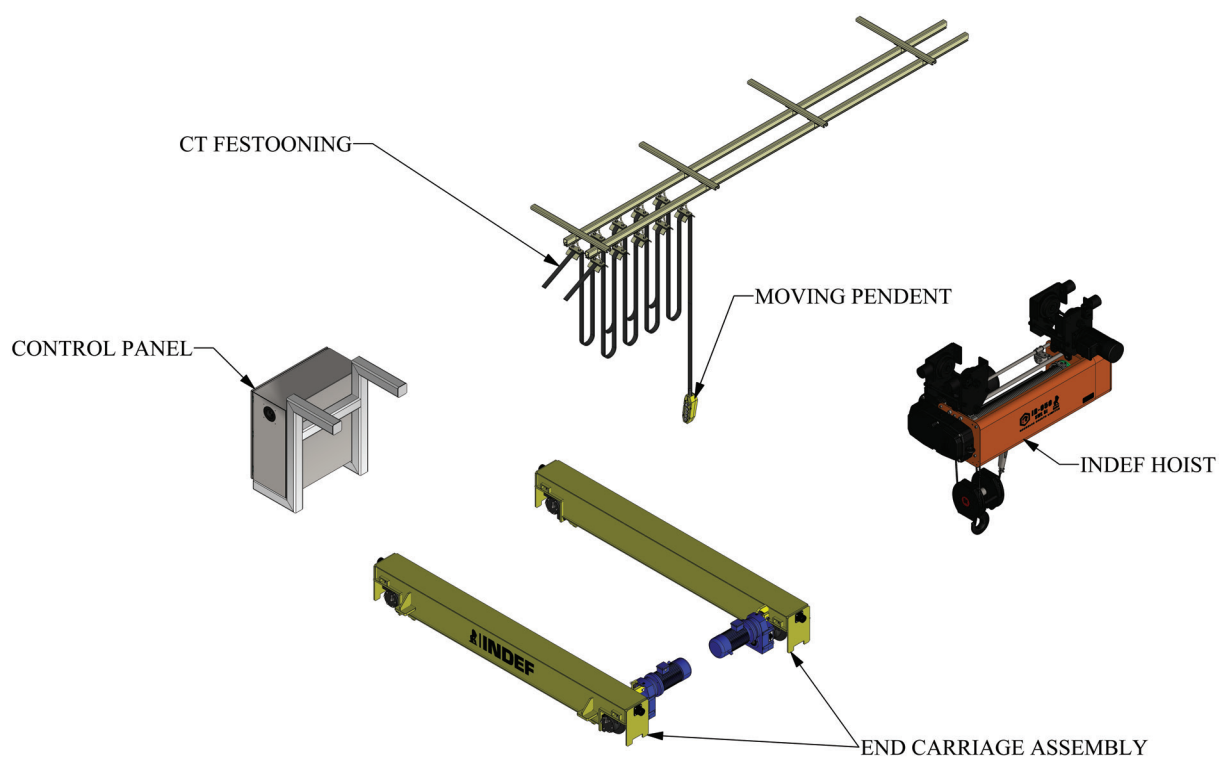
- ◆ Lifting
- ◆ Moving
- ◆ Storing



- ▶ Indef powered crane kit helps in making an economical crane which provides advantage of optimally designed end carriage and hoist including electricals with technical expertise. This is most suitable for manufacturing units having only fabrication facility or that are dependent on local fabricators, as it ensures safer crane in operation and savings in freight cost.
- ▶ Indef with its technical and design expertise will help the customer to build the girder by providing drawing and selection of electrical components with wiring diagram.
- ▶ Data logging and conditional monitoring features are provided through iQue technology complied with industry 4.0 standards.
- ▶ Indef powered crane kits are the most flexible offering in this segment, as it gives freedom to the customer of selecting the components based on their requirement.
- ▶ We are committed to provide complete customer satisfaction by understanding their requirement and helping them with the necessary support.

Material Handling. Delivered.

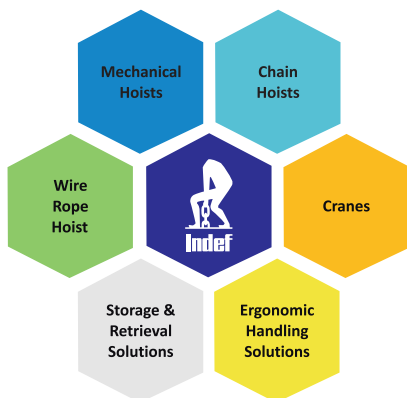
Redefining Material Handling. Since 1962.



Indef crane kit package consists of

- Next generation iR series wire rope hoist of 2T, 3.2T, 5T & 10T capacity
- Box end carriages
- Electro-Mechanical overload instrument
- Variable speed for Hoist, Trolley & Bridge
- Flat cable festooning running on galvanized C-track
- Separate track for moving pendant through flat cable with plug socket
- High tensile girder end carriage joint bolts, joint plates, derailment guard, buffers, sweeper plate.
- 6 Way pendant with emergency stop and start button
- Power- 415V and Control- 110V, 50Hz, AC
- Anti-Collision device
- Short headroom hoist
- Loadcell with display
- Gravity limit switch
- Rotary limit switch
- Radio Remote

HHL/Product Name/2021 14 10/V2



HERCULES HOISTS LIMITED

43/2B, Savroli-Kharpada Road, Dhamani, Khalapur - 410 202, Maharashtra, India
Regional offices: Chennai | Kolkata | New Delhi | Pune
 Tel :+91 (0)2192 662511 | Fax: +91 (0) 2192 662504
www.indef.com | enquire@indef.com