

HERCULES HOISTS LIMITED



Electric Chain Hoist Medium Duty (EH II) Series

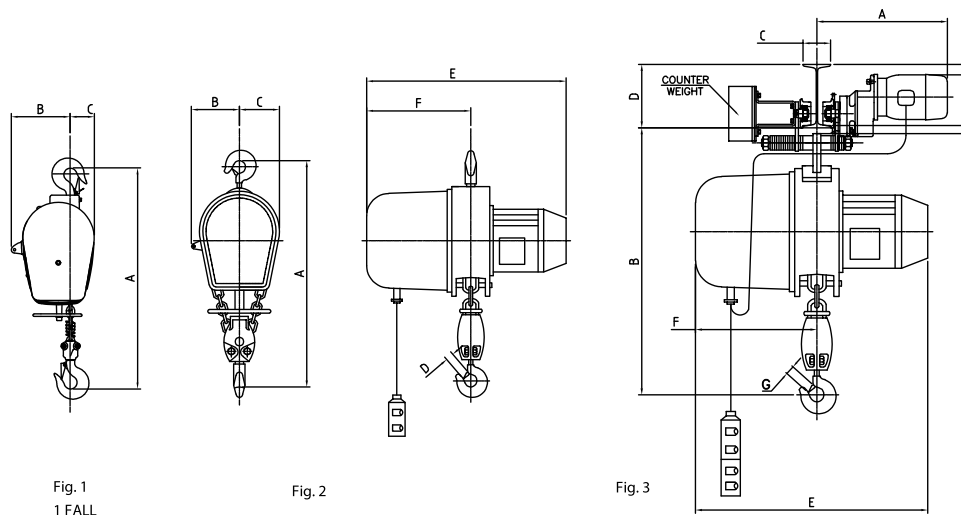
- ◆ Lifting
- ◆ Moving
- ◆ Storing



- ▶ **Capacities up to 2T**
Suitable for medium duty application
- ▶ **Rugged German design and proven over 30 years**
Assured reliability
- ▶ **Built with conical rotor brake motor**
Proven technology ensuring motor start / brake release and motor switch-off / brake application are synchronised
- ▶ **Fail safe brake**
Advantage of conical rotor motor
- ▶ **Precision machine case hardened, alloy steel gears**
Long life with low noise operation
- ▶ **Light weight, simple mounting design**
Easy to install, use, re-install
- ▶ **Built in control panel**
Plug and use
- ▶ **Precision machined and hardened load chain wheel**
Long life of load chain wheel and smooth operation
- ▶ **Grade 80 load chain**
Higher safety factor and longer chain life
- ▶ **Hoist and Electric Control Design available for hazardous area application**
Extended application capability

Material Handling. Delivered.

Redefining Material Handling. Since 1962.



"BABY" with hook suspension (Fig. 1 & 2)								
Capacity	MT	0.5	1	2		0.5	1	2
Chain falls	No.	1	2	4	A	720	750	860
Hoisting speed	m/mn	9	4.8	2.4	B	190	150	150
Hoist Motor	H.P.	1.5	1.5	1.5	C	80	120	120
*Height of max. lift (Std. 3m)	m	19.2	9.6	4.8	D	31	31	37
Length of control cable	m	At your choice			E	525	525	525
Approx. wt. with chains for 3m. lift	kg.	59	63	65	F	285	285	285
Approx. wt. per meter additional lift	kg.	1.3	2.6	5.2				

*Higher lifts offered on request

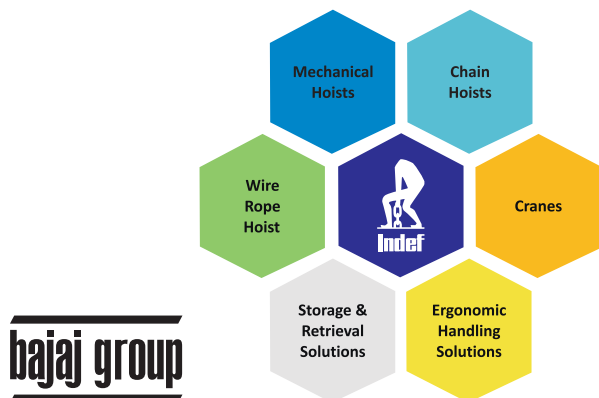
"BABY" with electric trolley (Fig. 3)								
Capacity	MT	0.5	1	2		0.5	1	2
Travelling speed	m/min.	10	10	10	A for C Max	500	500	500
Travelling motor	H.P.	0.5	0.5	0.5	A for C Min..	395	395	395
					B	820	840	965
Min. runaway bend (radius of curvature)	mm	2000	2000	2500	C Max.	305	305	305
					C Min.	90	90	90
					D Min.	200	200	200
					E	525	525	525
Approx. wt. with chains for 3m. lift	kg.	83	87	96	F	285	285	285
Approx. wt. per meter additional lift	kg.	1.3	2.6	5.2	G	31	31	37
					H Min.	23	23	14
					*J Max.	28	28	28

*To calculate clearance under beam subtract beam flange thickness from 'J'

Data tolerance ±10%

Note - Due To Continuous development and improvement specification listed above may be changed without notice.

HHL/EH-II/2022 11 05/V3"



HERCULES HOISTS LIMITED

43/2B, Savroli-Kharpada Road, Dhamani, Khalapur - 410 202, Maharashtra, India
Regional offices: Chennai | Kolkata | New Delhi | Pune
 Tel :+91 (0)2192 662511 | Fax: +91 (0) 2192 662504
 www.indef.com | enquire@indef.com