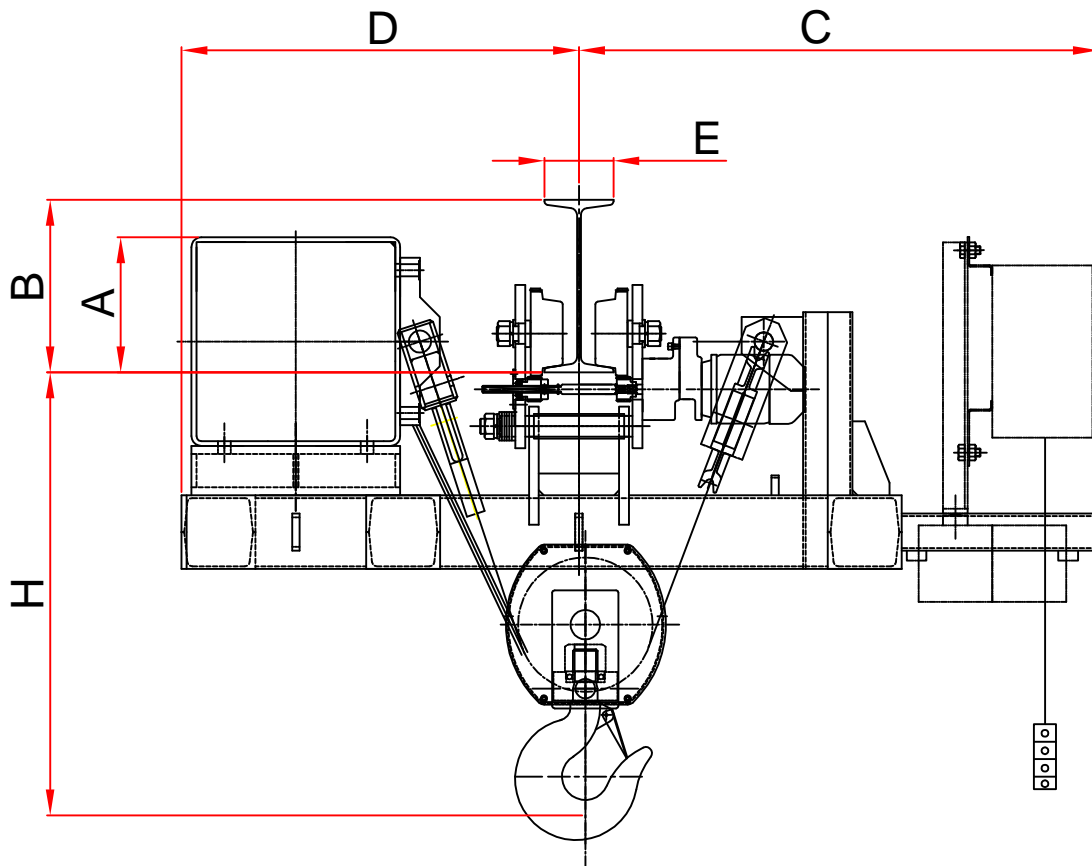


SHORT HEAD ROOM WIRE ROPE HOISTS



Model	Capacity	Falls	A (Max.)	B Beam Height (Min.)	C	D	E F.W. (Min.)	H Head Room (Min.)
HW-2	3T	2F	300	350	650	600	125-210	800
	6T	4F	300	350	650	600	125-210	800
HW-3	5T	2F	325	350	925	730	125-210	800
	10T	4F	325	350	920	800	125-210	1000
HW-4	10T	2F	375	400	1110	960	125-210	1100
	20T	4F	375	400	1130	980	125-210	1100

Data Tolerance $\pm 10\%$.

NOTE :

- 1) SUITABLE FOR STRAIGHT PATH ONLY.
- 2) TROLLEY MOTION MOTORISED.
- 3) HOIST IS SUITABLE FOR SPECIFIC BEAM SIZE. REQUIRED BEAM DETAILS ALONG WITH ORDER.
- 4) PLEASE REFER SPECIFICATION LEAFLET FOR OTHER DETAILS.