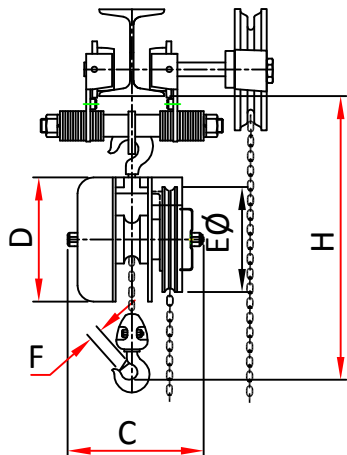
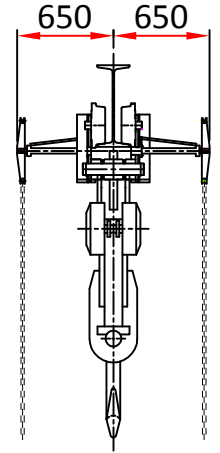
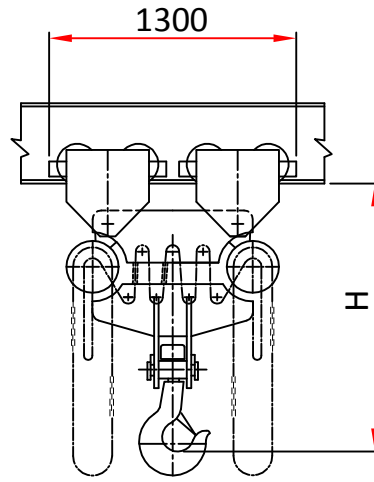


1T-10T



15T-40T



CAPACITY(T)	MT	1T	2T	3T	5T	7.5T	10T	15T	20T	25T	30T	40T
No. of falls		1	2	1	2	3	4	6	8	10	12	16
Chain Size Dia.	mm	8	8	12	12	12	12	12	12	12	12	12
Running pull on hand chain	Kgs.	26	28	55	49	50	61	50X2	54X2	70X2	54X4	62X4
Weight at 3 metre lift (approx) Hook Susp.	Kgs.	21	30	55	70	100	126	715	755	840	1000	1250
Extra weight per additional meterlift (approx)	Kgs.	2.9	4.3	4.8	8	11.2	14.4	22	28.5	37	40	57

CAPACITY MT	A	B	C	D	EØ	F	H With Trolley	H With Thrust bearing in bottom block
1T	460	210	180	210	195	31	550	580
2T	560	240	180	210	195	37	665	760
3T	750	300	225	275	270	42	925	950
5T	810	320	225	275	270	51	950	1025
7.5T	910	455	225	275	270	75	1025	1150
10T	990	515	225	275	270	75	1120	1240
15T	1790	-	-	-	-	95	1300	1300
20T	1790	-	-	-	-	95	1300	1300
25T	2000	-	-	-	-	95	1350	1350
30T	2070	-	-	-	-	155	1700	1700
40T	2200	-	-	-	-	168	1700	1700

Data tolerance ±10%