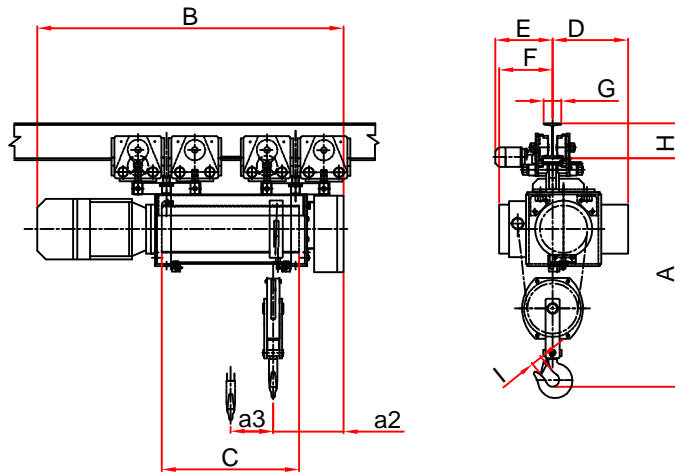
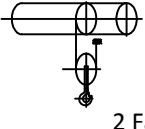
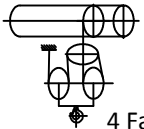
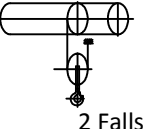
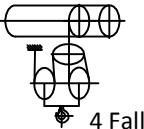
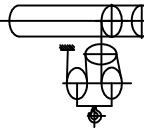


## HW3, HW4 (L), HW4 (HL) WIRE ROPE HOISTS



Type		HW3								HW4 (L)						HW4 HIGH LIFT					
		H2	H4	H6	H9	H2	H4	H6	H9	H1	H4	H8	H1	H4	H8	H2	H4	H5	H2	H4	
Drum Length (C)	mm	706	1030	1419	2002	706	1030	1419	2002	695	1201	2100	695	1201	2100	1700	2200	2450	2150	2750	
SWL Class - II	Tonnes	5				10				6			12			12		20			
SWL Class - IV	Tonnes	4				8				5			10			10		16			
Lift	M	12	20	35	50	6	10	18	25	14	30	60	7	15	30	30	40	45	30	40	
No. Of Falls		 2 Falls				 4 Falls				 2 Falls			 4 Falls			 4 Falls					
Wire Rope Dia.	mm	13				13				13			13			13		18			
Hoisting Speed	M/Min.	8.1				4.0				8.2			4.1			3.8					
Hoisting Motor Kw.	Kw	9.3				9.3				15			15			15					
Travelling Speed	M/Min.	17				17				17			17			17					
Travelling Motor Kw.	Kw	0.37 KW				0.55 KW (2 NOS.)				0.55 Kw			0.55 Kw (2 Nos.)			0.75 KW (2 Nos.)					
Trolley Wheel Dia/Qty.	mm/Nos.	140 (4)				140 (4)				140 (4)			140 (8)			140 (8)					
Dimn. A (Head Room)	mm	1550				1530				1670			1660			1860					
Dimn. (B) (Note-1)	mm	1668	1992	2381	2964	1668	1992	2381	2964	1796	2302	3201	1796	2302	3201	2464	3254	3504	2754	3236	
Dimn. D	mm	512				486				539			500			500		500			
Dimn. E (Note-3) Min.	mm	600				600				600			600			600		600			
Dimn. F	mm	408				434				381			420			381		420			
Dimn. G	mm	125 - 210				125 - 210				125 - 210			150 - 210			125 - 210		150 - 210			
Dimn. H (MIN.)	mm	250				250				250			450			250		450			
Dimn. I	mm	52				78				78			95			78		95			
Dimn. a2	mm	484				587				505			597			548		652			
Dimn. a3	mm	202	365	560	755	100	210	340	465	183	436	886	91	260	560	155	317	480	135	335	
Approx. Weight	Hoist	Kg	340	390	450	510	370	420	480	535	480	550	735	530	590	835	850	950	1100	900	1000
	Trolley	Kg	120	120	120	120	140	140	140	140	140	140	140	280	280	280	280	280	280	280	280
	Total	Kg	460	510	570	630	510	560	620	675	620	690	875	810	870	1115	1130	1230	1380	1180	1280

NOTES: Data Tolerance ±10% .

- 1) 1:3 CREEP SPEED CAN BE GIVEN AT EXTRA COST & DIMENSION 'B' WILL INCREASE BY 165 MM
- 2) 13,26 MPM TROLLIES ALSO CAN BE SUPPLIED (SINGLE REDUCTION GEAR BOX)
- 3) 8.5, 4.25, 2.8, 2.1 MPM TROLLIES ALSO CAN BE SUPPLIED (DOUBLE REDUCTION GEAR BOX) AT EXTRA COST, DIMENSION 'E' WILL INCREASE IN 100 MM.