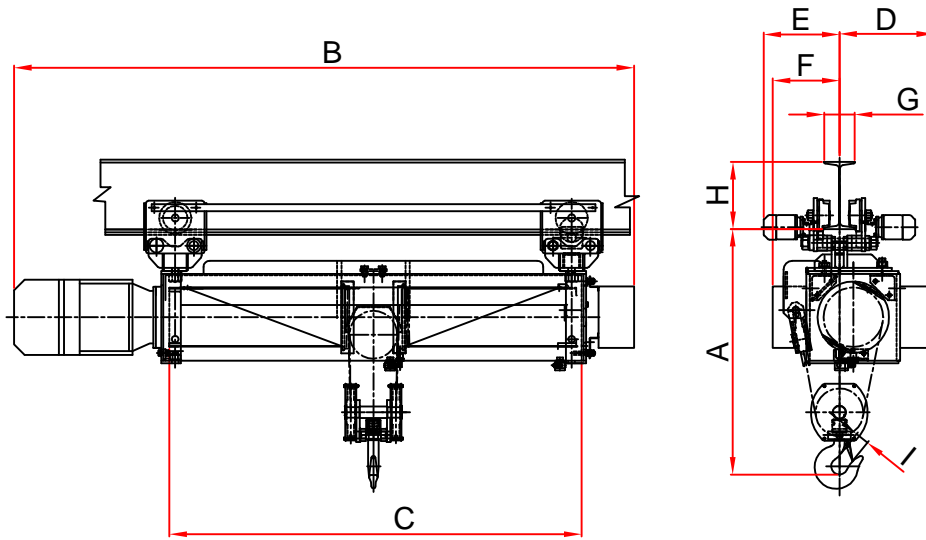
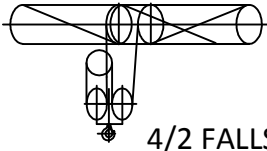


HW2, HW3, HW4 (M), (H) (LH/RH) WIRE ROPE HOISTS



TYPE		HW2			HW3			HW4 (M) / HW4 (H)			
		H4	H6	H8	H3	H5	H7	H4	H6	H8	
DRUM LENGTH.	MM	1032	1432	1831	836	1225	1613	1201	1651	2100	
SWL CLASS - II	TONNES	3			5			7.5 / 10			
SWL CLASS - IV	TONNES	2.5			4			6 / 8			
LIFT	M	10	18	25	10	18	25	10	18	25	
NO. OF FALLS	 4/2 FALLS										
WIRE ROPE DIA.	mm	8			10			13			
HOISTING SPEED	M/MIN.	8.2			8.1			8.2 / 6.7			
HOISTING MOTOR KW.	Kw	5.5			9			15			
TRAVELLING SPEED	M/MIN.	17			17			17			
TRAVELLING MOTOR KW.	Kw	0.37			0.37			0.55 KW (2 NOS.)			
Trolley Wheel Dia./Qty.	mm/ Nos.	140 (4)			140 (4)			140 (4)			
DIMN. A (HEAD ROOM)	mm	1160			1400			1600			
DIMN. (B)	mm	1930	2330	2729	1798	2381	2575	2270	2752	3426	
DIMN. D	mm	210			260			347			
DIMN. E	mm	550			410-460			410 - 460			
DIMN. F	mm	321			240			309			
DIMN. G (Flange Width)	mm	90-180			125-210			125 - 210			
DIMN. H (Beam Size)	mm	250			250			250			
DIMN. I	mm	42			52			78			
APPROX. WEIGHT	HOIST	Kg	385	430	560	545	600	780	845	1045	1090
	TROLLEY	Kg	120	120	120	120	120	120	140	140	140
	TOTAL	Kg	505	550	680	665	720	900	985	1185	1230

Data Tolerance $\pm 10\%$.

NOTES:

- 1) 1:3 CREEP SPEED CAN BE GIVEN AT EXTRA COST & DIMENSION 'B' WILL INCREASE BY 165 MM
- 2) 13,26 MPM TROLLIES ALSO CAN BE SUPPLIED (SINGLE REDUCTION GEAR BOX)
- 3) 8.5, 4.25, 2.8, 2.1 MPM TROLLIES ALSO CAN BE SUPPLIED (DOUBLE REDUCTION GEAR BOX) AT EXTRA COST
DIMENSION 'E' WILL INCREASE IN 100 MM.