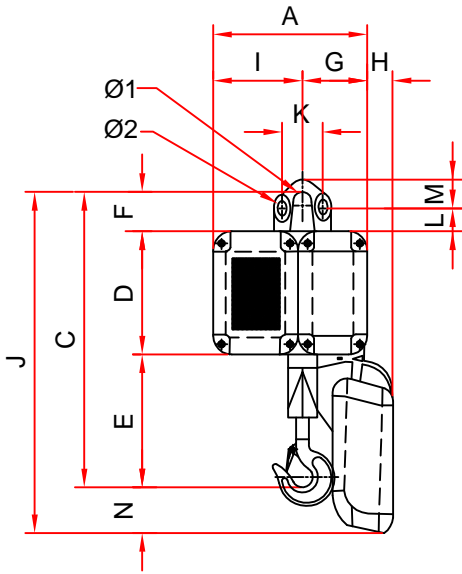
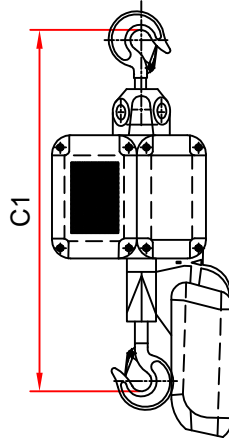


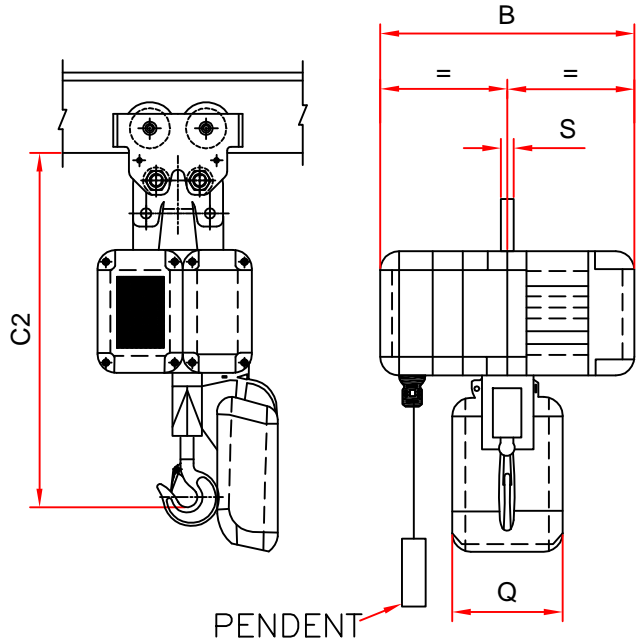
### EYE BOLT SUSPENSION



### HOOK SUSPENSION



### TROLLEY SUSPENSION



GC HOIST Model No.	Chain size Diameter(mm)	FEM Duty	ISO Duty	Capacity in kg.	Lifting speed mpm main/creep	No. of falls	Motor KW main/creep	Motor RPM
GC K2CV1D	5X15	2	5	250	8.0/2.0	One	0.37/0.09	3000/750
GC K2DN1D	5X15	2	5	500	4.0/1.0	One	0.37/0.09	3000/750
GC K3DV1D	7X21	2	5	500	8.0/2.0	One	0.75/0.18	3000/750
GC K3CR1D	7X21	2	5	250	16.0/4.0	One	0.75/0.18	3000/750
GC K3EN1D	7X21	2	5	1000	4.0/1.0	One	0.75/0.18	3000/750
GC K4EV1D	10X28	2	5	1000	8.0/2.0	One	1.5/0.36	3000/750
GC K4FN1D	10X28	2	5	2000	4.0/1.0	One	1.5/0.36	3000/750

GC HOIST Model No.	Chain Collector relative overall dimension															
	SIZE 1			SIZE 2			SIZE 3			SIZE 4						
	Lifting height (m)	Dimensions (mm)			Lifting height (m)	Dimensions (mm)			Lifting height (m)	Dimensions (mm)			Lifting height (m)	Dimensions (mm)		
H		N	Q	H		N	Q	H		N	Q	H		N	Q	
GC K2CV1D	6	42	45	180	12	70	99	225	24	77	174	270	48	85	219	310
GC K2DN1D	6	42	45	180	12	70	99	225	24	77	174	270	48	85	219	310
GC K3DV1D	3	32	10	180	6	60	64	225	12	87	139	270	24	95	184	310
GC K3CR1D	3	32	10	180	6	60	64	225	12	87	139	270	24	95	184	310
GC K3EN1D	3	32	10	180	6	60	64	225	12	87	139	270	24	95	184	310
GC K4EV1D	=	=	=	=	=	=	=	=	6	90	50	270	12	97	95	310
GC K4FN1D	=	=	=	=	=	=	=	=	6	90	50	270	12	97	95	310

GC HOIST Model No.	A	B	C	C1	C2	D	E	F	G	I	J	K	L	M	S	T	ø1	ø2	Hoist Weight kg 3m lift	Trolley Weight kg.
GC K2CV1D	255	425	340	490	500	140	155	45	106	149	385	70	27	32	15	28	30	14	31	22
GC K2DN1D	255	425	340	490	500	140	155	45	106	149	385	70	27	32	15	28	30	14	31	22
GC K3DV1D	300	475	400	600	570	165	190	45	128	172	410	70	30	30	18	34	30	14	48	22
GC K3CR1D	300	475	400	600	570	165	190	45	128	172	410	70	30	30	18	34	30	14	48	22
GC K3EN1D	300	475	400	600	570	165	190	45	128	172	410	70	30	30	18	34	30	14	48	22
GC K4EV1D	340	560	490	715	570	200	240	56	145	195	585	90	36	34	25	40	35	20	75	22
GC K4FN1D	340	560	490	715	675	200	240	56	145	195	585	90	36	34	25	40	35	20	75	31

Note :- 1. All dimensions are in mm Tolerance ±10%  
 2. Due To Continuous development and improvement specification listed above may be changed without notice.